

MN3101

CLOCK GENERATOR/DRIVER CMOS LSI FOR BBD

Description

The MN3101 is a CMOS LSI generating two phase clock signal of low output impedance to drive MN3000 series BBD. Built-in V_{GG} power supply circuit for the MN3000 series BBD* provides most suitable V_{GG} voltage for the BBD when the MN3101 is used with the same power source as BBD. Oscillation is aided by external resistors and capacitors, and also oscillation drive is possible by the separate excitation oscillation.

Clock signal frequency is 1/2 of oscillation frequency.

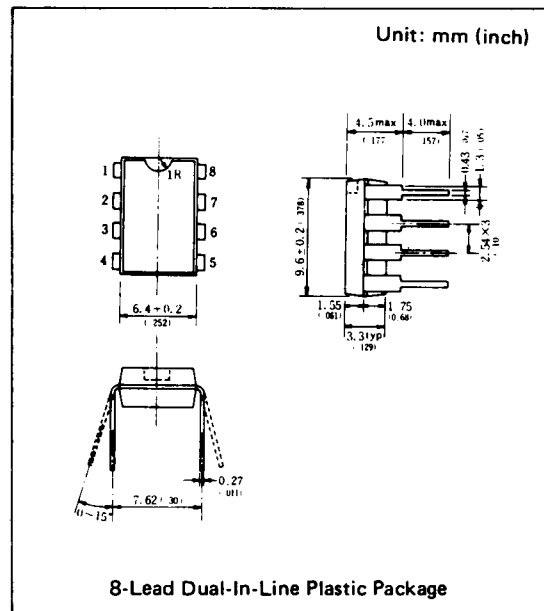
* MN3000 series BBDs
 MN3001, MN3002, MN3003, MN3004, MN3005, MN3006, MN3007, MN3008, MN3009, MN3010, MN3011, MN3012.
 Note) Clock signal generator is built-in the MN3003 and MN3012.

Features

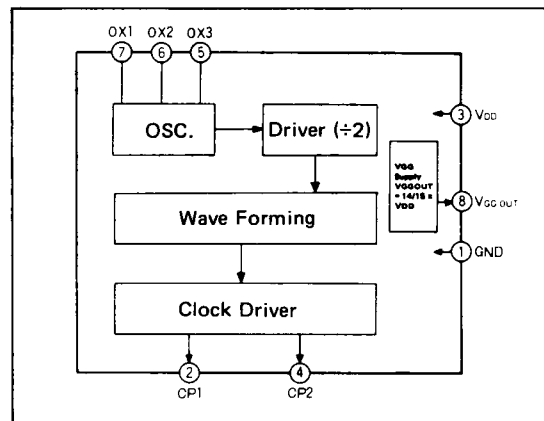
- BBD direct driving capability of up to two MN3005s (equivalent to 8192-stages).
- Self and separate oscillations.
- Two phase clock output (Duty: 1/2).
- V_{GG} voltage generator is built-in for the BBD.
- Single power supply: $-8 \sim -16V$.
- 8-Lead Dual-In-Line Plastic Package.

Applications

- BBD clock generator/driver.



Block Diagram



■ **Absolute Maximum Ratings (Ta = 25°C)**

Item	Symbol	Rating	Unit	Remarks
Drain Supply Voltage	V _{DD}	-18~+0.3	V	GND=0V
Input Terminal Voltage	V _I	V _{DD} -0.3~+0.3	V	GND=0V
Output Terminal Voltage	V _O	V _{DD} -0.3~+0.3	V	GND=0V
Power Dissipation	P _D	200	mW	
Operating Ambient Temperature	T _{opr}	-10~+70	°C	
Storage Temperature	T _{stg}	-30~+125	°C	

■ **Operating Condition (Ta = 25°C)**

Item	Symbol	Condition	Min.	Typ.	Max.	Unit
Drain Supply Voltage	V _{DD}	GND=0V	-8	-15	-16	V

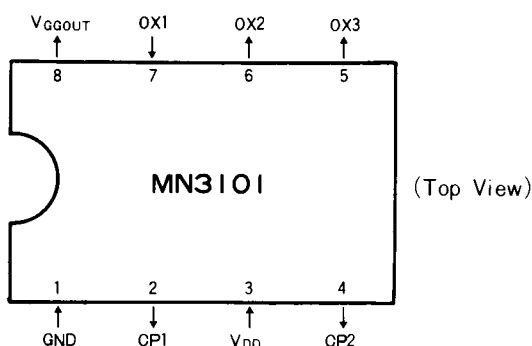
■ **Electrical Characteristics (Ta = 25°C, V_{DD} = -15V, GND = 0V)**

Item	Symbol	Condition	Min.	Typ.	Max.	Unit
Input drain current	I _{DD}	No load Clock output 40kHz		3		mA
Total Power Dissipation	P _{tot}			45		mW
OX1 Input Terminal						
Voltage "H" Level	V _{IH}		0		-1	V
Voltage "L" Level	V _{IL}		V _{DD} +1		V _{DD}	V
Input Leakage Current	I _{LK}	V _I =0~-15V			30	μA
OX2 Output Terminal						
Output Current "H" Level	I _{OH1}	V _O =-1V	0.6			mA
Output Current "L" Level	I _{OL1}	V _O =-14V	0.5			mA
Output Leakage Current	I _{LOL1}	V _O =V _{DD}			30	μA
Output Leakage Current	I _{LOH1}	V _O =GND			30	μA
OX3 Output Terminal						
Output Current "H" Level	I _{OH2}	V _O =-1V	1.5			mA
Output Current "L" Level	I _{OL2}	V _O =-14V	2			mA
Output Leakage Current	I _{LOL2}	V _O =V _{DD}			30	μA
Output Leakage Current	I _{LOH2}	V _O =GND			30	μA
CP1, CP2 Output Terminal						
Output Current "H" Level	I _{OH3}	V _O =-1V	10			mA
Output Current "L" Level	I _{OL3}	V _O =-14V	10			mA
Output Leakage Current	I _{LOL3}	V _O =V _{DD}			30	μA
Output Leakage Current	I _{LOH3}	V _O =GND			30	μA
V_{GG OUT} Output Terminal (*)						
Output Voltage	V _{GG OUT}			-14		V

(*) This terminal generates V_{GG} voltage exclusively applied for BBD manufactured by Matsushita Electronics Corporation, therefore, some times it might not be applicable for the device other than the V_{GG} voltage of MEC's BBD. V_{GG OUT} changes by following formula depending on the value of V_{DD}.

$$V_{GG\ OUT} \doteq \frac{14}{15} V_{DD}$$

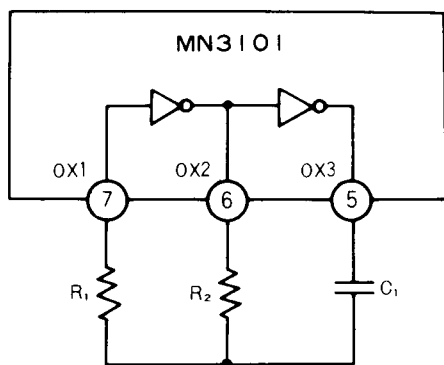
Terminal Assignments



Terminal Description

Terminal No.	Symbol	I/O	Terminal Name	Description
1	GND	Power supply	Ground	Connected to GND of the circuit.
2	CP1	0	Clock output 1	This terminal outputs clock signal that is a revers phase of CP2 with Duty 1/2, 1/2 frequency of oscillation frequency
3	V _{DD}	Power supply	V _{DD} apply	-15V is applied.
4	CP 2	0	Clock output 2	This terminal outputs clock signal that is a reverse phase of CP 1.
5	OX 3	0	C and R is connected.	C, R are connected in case of selfoscillation. (Refer to oscillation circuit).
6	OX 2	0		
7	OX 1	1		
8	V _{GG} OUT	0	V _{GG} voltage output.	-14V is output. (V _{DD} = -15V) V _{GG} OUT = 14/15V _{DD} .

Example of Oscillation Generation Circuit



Oscillation circuit of the MN3101 is composed of 2-stage inverter and oscillation frequency is defined by the time constant of C1 and R2 shown left.

Following is an example of C1, R1 and R2. Figure 1 shows f_{CP}* -R2 characteristics.

Example	Constant	R ₁ (Ω)	R ₂ (Ω)	C ₁ (pF)	f _{osc} ** (kHz)	f _{CP} * (kHz)
Example ①		0	5 k~1 M	33	15~1500	7.5~750
Example ②		22k	5 k~1 M	100	5.2~440	2.6~220
Example ③		22k	5 k~1 M	200	1.4~280	0.7~140

* Clock output frequency of CP1 or CP2 terminals.
 ** Oscillation frequency of OX1, OX2 and OX3.

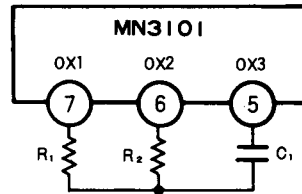
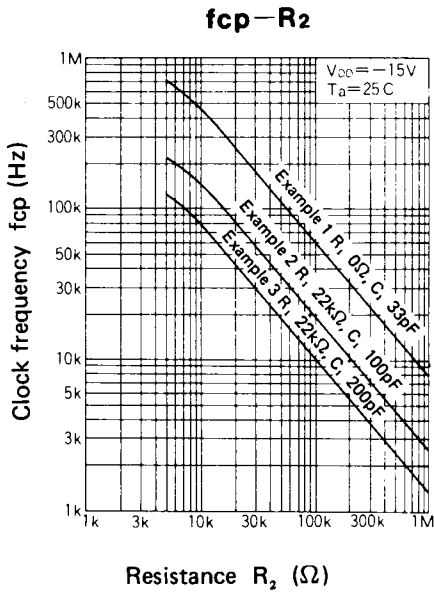


Figure 1 Example of characteristics of clock oscillation frequency.

The maximum clock frequency

The upper limit of the value of clock frequency is determined depending on the load capacitance and power consumption.

The permissible dissipation for this LSI is $P_D = 200mW$.

If the clock frequency on the load capacitance is increased, the power consumption will be increased. (Refer to Figure 2.)

Accordingly, in order to utilize the MN3101 with dissipation less than the permissible value, it is necessary to select adequate values for the clock frequency and load capacitance.

Figure 3 shows an example of the dependence of the maximum clock frequency on the load capacitance in $P_D = 150mW$.

By connecting a resistance to the clock output terminal, it is made possible to increase the value of the maximum clock frequency without increasing dissipation. (Refer to Figures 2 and 3.)

It is because the dissipation on the LSI side is lessened, as a part of the power consumption required for driving the load capacitance is consumed by the series resistance.

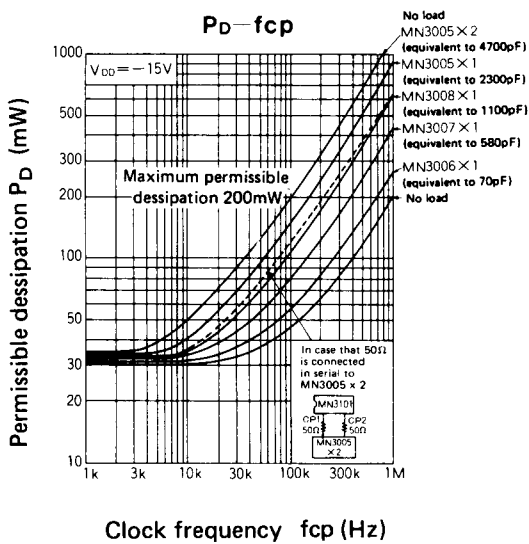


Figure 2 Example of the dependence of power consumption on the clock frequency.

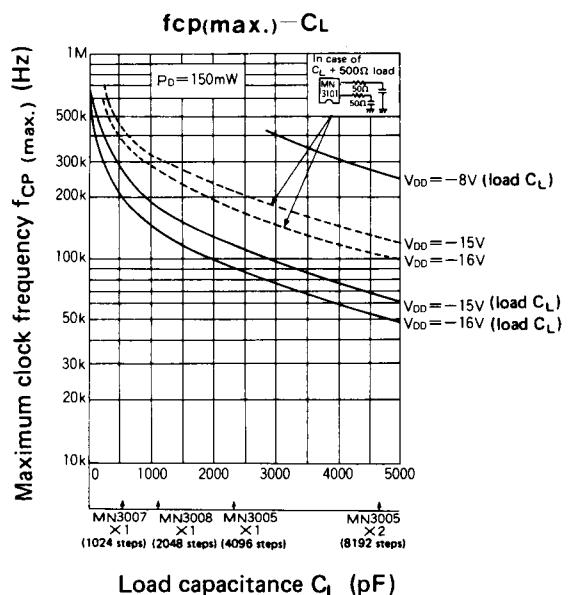


Figure 3 Example of the load capacitance characteristic of the maximum clock frequency in the power consumption of 150mW.

This datasheet has been download from:

www.datasheetcatalog.com

Datasheets for electronics components.