

**MM74C912 6-Digit BCD Display Controller/Driver**  
**MM74C917 6-Digit Hex Display Controller/Driver**

**General Description**

The MM74C912, MM74C917 display controllers are interface elements, with memory, that directly drive a 6-digit, 8-segment LED display.

The display controllers receive data information through 5 data inputs A, B, C, D and DP, and digit information through 3 address inputs K1, K2 and K3.

The input data is written into the register selected by the address information when **CHIP ENABLE, CE**, and **WRITE ENABLE, WE**, are low and is latched when either **CE** or **WE** return high. Data hold time is not required. A self-contained internal oscillator sequentially presents the stored data to a decoder where 4 data bits control the format of the displayed character and 1 bit controls the decimal point. The internal oscillator is controlled by a control input labeled **OSCILLATOR ENABLE, OSE**, which is tied low in normal operation. A high level at **OSE** prevents automatic refresh of the display.

The 7-segment plus decimal point output information directly drives a LED display through high drive (100

mA typ) output drivers. The drivers are active when the control pin labeled **SEGMENT OUTPUT ENABLE, SOE**, is low and go into TRI-STATE® when **SOE** is high. This feature allows for duty cycle brightness control and for disabling the output drivers for power conservation.

The MM74C912 segment decoder converts BCD data into 7-segment format. The MM74C917 converts binary data into hex format.

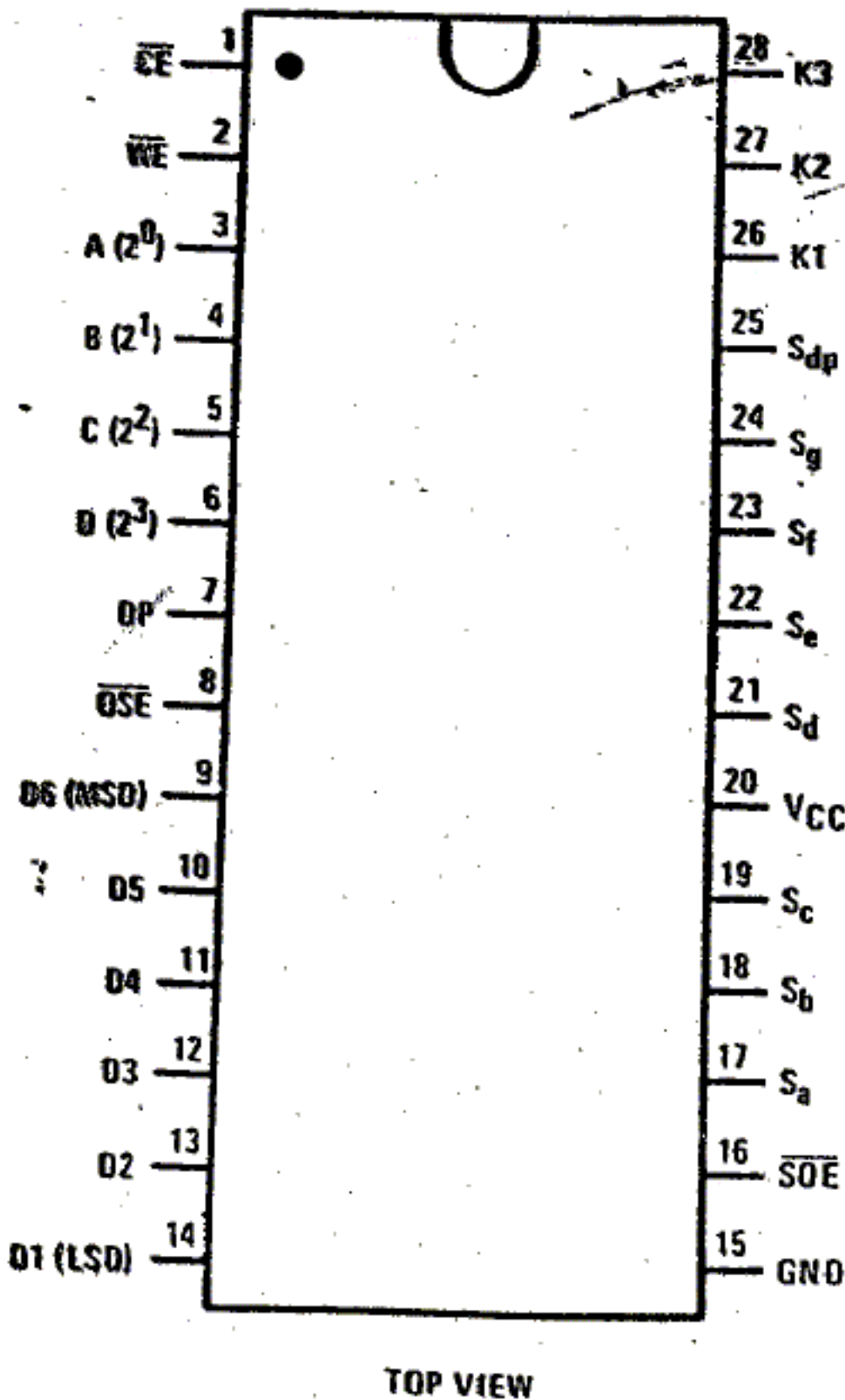
All inputs are TTL compatible and do not clamp to the VCC supply.

**Features**

- Direct segment drive (100 mA typ) TRI-STATEABLE
- 6 registers addressed like RAM
- Internal oscillator and scanning circuit
- Direct base drive to digit transistor (20 mA typ)
- Internal segment decoder
- TTL compatible inputs

**Connection Diagram**

Dual-In-Line Package



**Truth Tables**

Input Control

CE	DIGIT ADDRESS			WE	OPERATION
	K3	K2	K1		
0	0	0	0	0	Write Digit 1
0	0	0	0	1	Latch Digit 1
0	0	0	1	0	Write Digit 2
0	0	0	1	1	Latch Digit 2
0	0	1	0	0	Write Digit 3
0	0	1	0	1	Latch Digit 3
0	0	1	1	0	Write Digit 4
0	0	1	1	1	Latch Digit 4
0	1	0	0	0	Write Digit 5
0	1	0	0	1	Latch Digit 5
0	1	0	1	0	Write Digit 6
0	1	0	1	1	Latch Digit 6
0	1	1	0	0	Write Null Digit
0	1	1	0	1	Latch Null Digit
0	1	1	1	0	Write Null Digit
0	1	1	1	1	Latch Null Digit
1	X	X	X	X	Disable Writing

X = don't care

Output Control

SOE	OSE	OPERATION
0	0	Refresh Display
0	1	Stop Oscillator*
1	0	Disable Segment Outputs
1	1	Standby Mode

\*Segment drive may exceed maximum display dissipation.

Voltage at Any Pin Except Inputs -0.3V to V<sub>CC</sub>+0.3V  
 Voltage at Any Input -0.3V to +15V  
 Operating Temperature Range (T<sub>A</sub>) -40°C to +85°C  
 Storage Temperature Range -65°C to +150°C

Package Dissipation Refer to PD MAX vs T<sub>A</sub> Graph  
 Operating V<sub>CC</sub> Range 3V to 6V  
 Absolute Maximum V<sub>CC</sub> 6.5V  
 Lead Temperature (Soldering, 10 seconds) 300°C

## DC Electrical Characteristics

Min/max limits apply at 40°C ≤ T<sub>J</sub> ≤ 85°C, unless otherwise noted.

PARAMETER	CONDITIONS	MIN	TYP	MAX	UNITS
<b>CMOS TO CMOS</b>					
V <sub>IN(1)</sub>	Logical "1" Input Voltage V <sub>CC</sub> = 5V	3.0			V
V <sub>IN(0)</sub>	Logical "0" Input Voltage V <sub>CC</sub> = 5V			1.5	V
I <sub>IN(1)</sub>	Logical "1" Input Current V <sub>CC</sub> = 5V, V <sub>IN</sub> = 15V		0.005	1.0	μA
I <sub>IN(0)</sub>	Logical "0" Input Current V <sub>CC</sub> = 5V, V <sub>IN</sub> = 0V	-1.0	-0.005		μA
I <sub>CC</sub>	Supply Current V <sub>CC</sub> = 5V, Outputs Open		0.5	2	mA
I <sub>OUT</sub>	TRI-STATE Output Current V <sub>CC</sub> = 5V, V <sub>O</sub> = 5V V <sub>CC</sub> = 5V, V <sub>O</sub> = 0V		0.03 -0.03	3	μA μA
<b>CMOS/LPTTL INTERFACE</b>					
V <sub>IN(1)</sub>	Logical "1" Input Voltage V <sub>CC</sub> = 4.75V	V <sub>CC</sub> -2.0			V
V <sub>IN(0)</sub>	Logical "0" Input Voltage V <sub>CC</sub> = 4.75V			0.8	V
<b>OUTPUT DRIVE</b>					
I <sub>SH</sub>	High Level Segment Current V <sub>CC</sub> = 5V, V <sub>O</sub> = 3.4V, T <sub>J</sub> = 25°C T <sub>J</sub> = 100°C	-60 -40	-100 -60		mA mA
I <sub>DH</sub>	High Level Digit Current V <sub>CC</sub> = 5V, V <sub>O</sub> = 1V, T <sub>J</sub> = 25°C T <sub>J</sub> = 100°C	-10 -7	-20 -15		mA mA
V <sub>OUT(1)</sub>	Logical "1" Output Voltage Any Digit V <sub>CC</sub> = 5V, I <sub>O</sub> = -360 μA	4.6			V
V <sub>OUT(0)</sub>	Logical "0" Output Voltage Any Output V <sub>CC</sub> = 5V, I <sub>O</sub> = 360 μA			0.4	V
θ <sub>JA</sub>	Thermal Resistance (Note 3)		100		°C/W

Note 1: "Absolute Maximum Ratings" are those values beyond which the safety of the device cannot be guaranteed. Except for "Operating Range" they are not meant to imply that the device should be operated at these limits. The table of "Electrical Characteristics" provides conditions for actual device operation.

Note 2: All voltages reference to ground.

Note 3: θ<sub>JA</sub> measured in free air with device soldered into printed circuit board.

## AC Electrical Characteristics

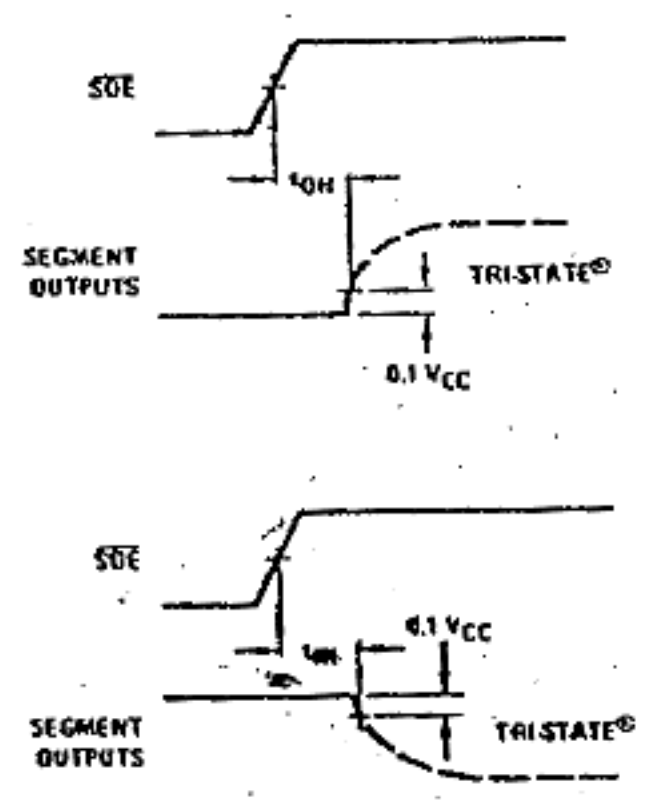
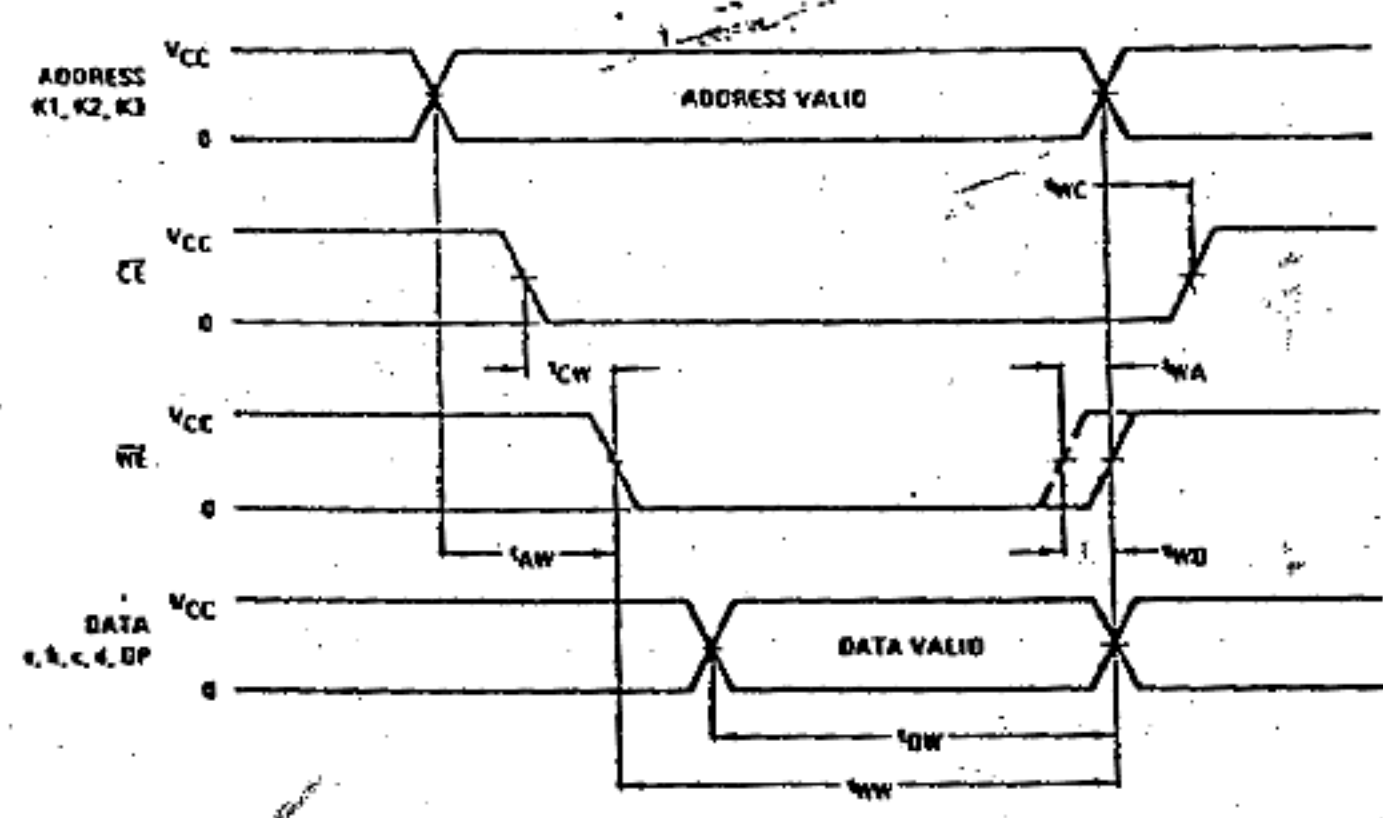
V<sub>CC</sub> = 5V, τ<sub>r</sub> = τ<sub>f</sub> = 20 ns, C<sub>L</sub> = 50 pF

PARAMETER	CONDITIONS	MIN	TYP	MAX	UNITS
τ <sub>CW</sub>	Chip Enable to Write Enable Setup Time T <sub>J</sub> = 25°C T <sub>J</sub> = 125°C	35 50	15 20		ns ns
τ <sub>AW</sub>	Address to Write Enable Setup Time T <sub>J</sub> = 25°C T <sub>J</sub> = 125°C	35 50	15 20		ns ns
τ <sub>WW</sub>	Write Enable Width T <sub>J</sub> = 25°C T <sub>J</sub> = 125°C	400 450	225 250		ns ns

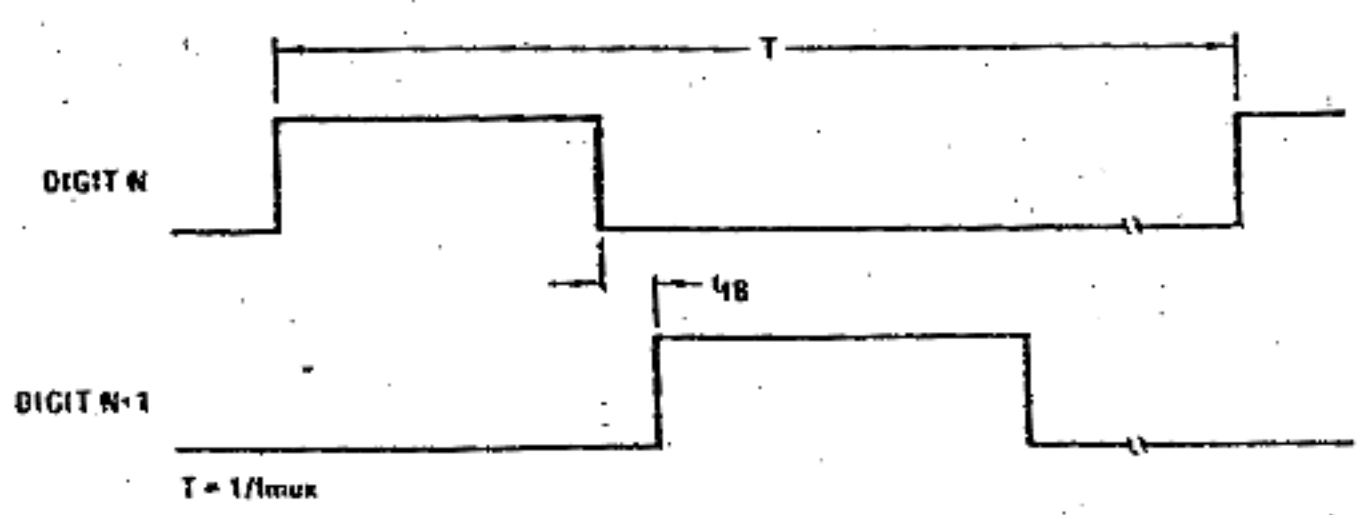
PARAMETER	CONDITIONS	MIN	TYP	MAX	UNITS	
$t_{DW}$	Data to Write Enable Setup Time	$T_J = 25^\circ C$ $T_J = 125^\circ C$	390 430	225 250	ns ns	
$t_{WD}$	Write Enable to Data Hold Time	$T_J = 25^\circ C$ $T_J = 125^\circ C$	0 0	-10 -15	ns ns	
$t_{WA}$	Write Enable to Address Hold Time	$T_J = 25^\circ C$ $T_J = 125^\circ C$	0 0	-10 -15	ns ns	
$t_{WC}$	Write Enable to Chip Enable Hold Time	$T_J = 25^\circ C$ $T_J = 125^\circ C$	50 75	30 40	ns ns	
$t_{1H}, t_{0H}$	Logical "1", Logical "0" Levels Into TRI-STATE	$R_L = 10k, T_J = 25^\circ C$ $C_L = 10 pF, T_J = 125^\circ C$		275 325	500 600	ns ns
$t_{H1}, t_{H0}$	TRI-STATE to Logical "1" to Logical "0" Level	$R_L = 10k, T_J = 25^\circ C$ $C_L = 50 pF, T_J = 125^\circ C$		325 375	600 700	ns ns
$t_{IB}$	Interdigit Blanking Time	$T_J = 25^\circ C$ $T_J = 125^\circ C$	5 10	10 20	$\mu s$ $\mu s$	
$f_{MUX}$	Multiplex Scan Frequency	$T_J = 25^\circ C$ $T_J = 125^\circ C$		350 250	Hz Hz	
$C_{IN}$	Input Capacitance	Note 4		5	7.5	pF
$C_{OUT}$	TRI-STATE Output Capacitance	Note 4		30	50	pF

Note 4: Capacitance is guaranteed by periodic testing.

### Switching Time Waveforms



### Multiplexing Output Waveforms



# Functional Description

Character Font

MM74C917	HI-Z	0	1	2	3	4	5	6	7	8	9	A	B	C	D	E	F	F.
MM74C912	HI-Z	0	1	2	3	4	5	6	7	8	9	0	0	-	-	-	-	.
Input A 2 <sup>0</sup>	X	0	1	0	1	0	1	0	1	0	1	0	1	0	1	0	1	1
Data B 2 <sup>1</sup>	X	0	0	1	1	0	0	1	1	0	0	1	1	0	0	1	1	1
C 2 <sup>2</sup>	X	0	0	0	0	1	1	1	1	0	0	0	0	1	1	1	1	1
D 2 <sup>3</sup>	X	0	0	0	0	0	0	0	0	1	1	1	1	1	1	1	1	1
DP	X	0	0	0	0	0	0	0	0	0	0	0	0	0	0	0	0	1
Output Enable $\overline{SOE}$	1	0	0	0	0	0	0	0	0	0	0	0	0	0	0	0	0	0

## Segment Identification

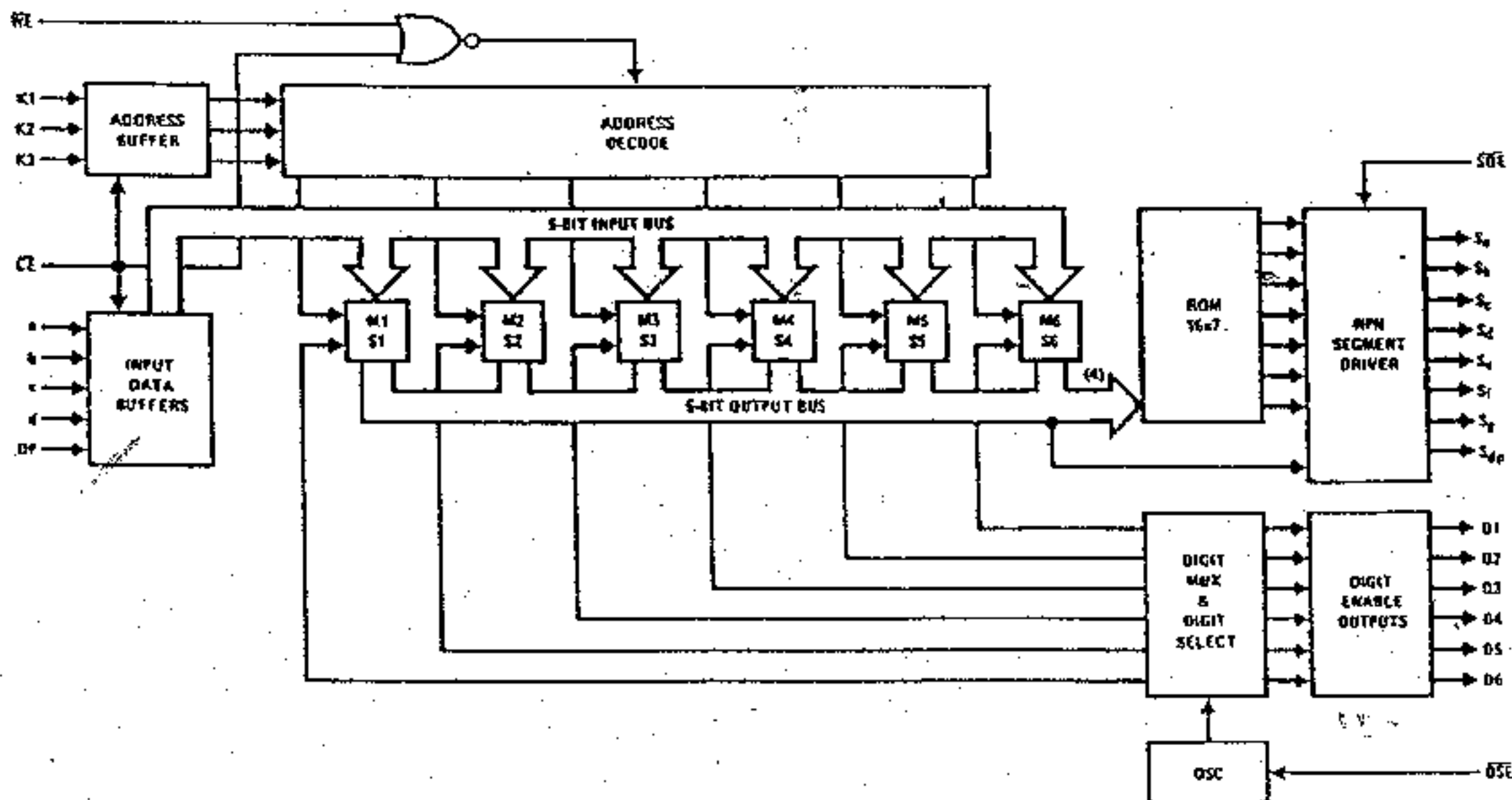


The MM74C912, MM74C917 display controllers are manufactured using metal gate CMOS technology. A single 5V 74 series TTL supply can be used for power and should be bypassed at the VCC pin.

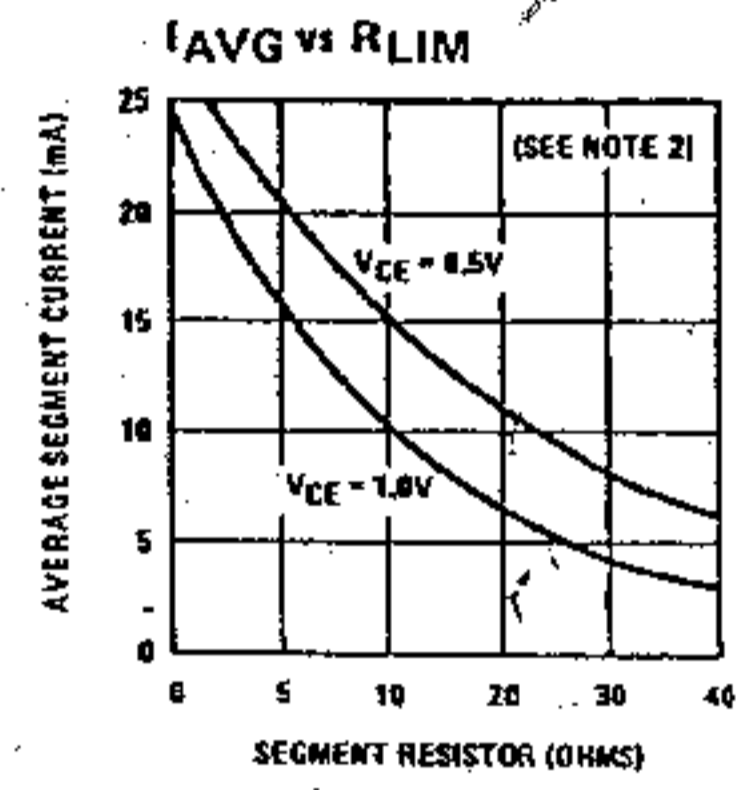
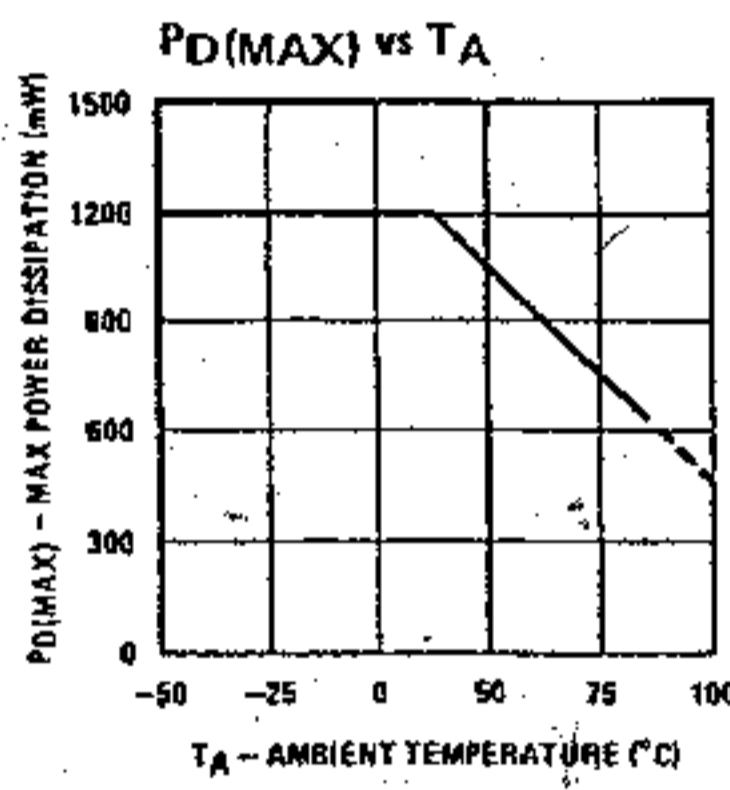
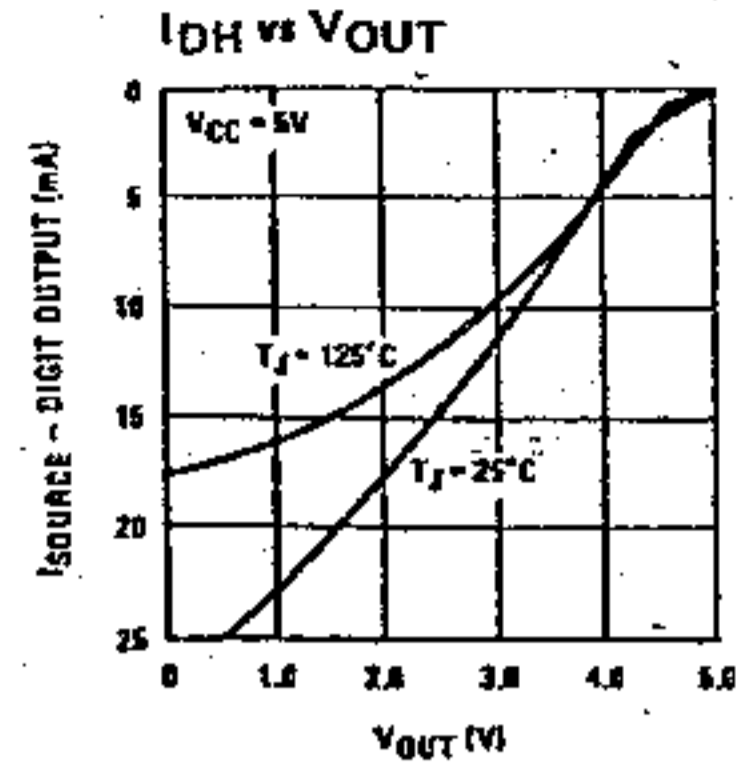
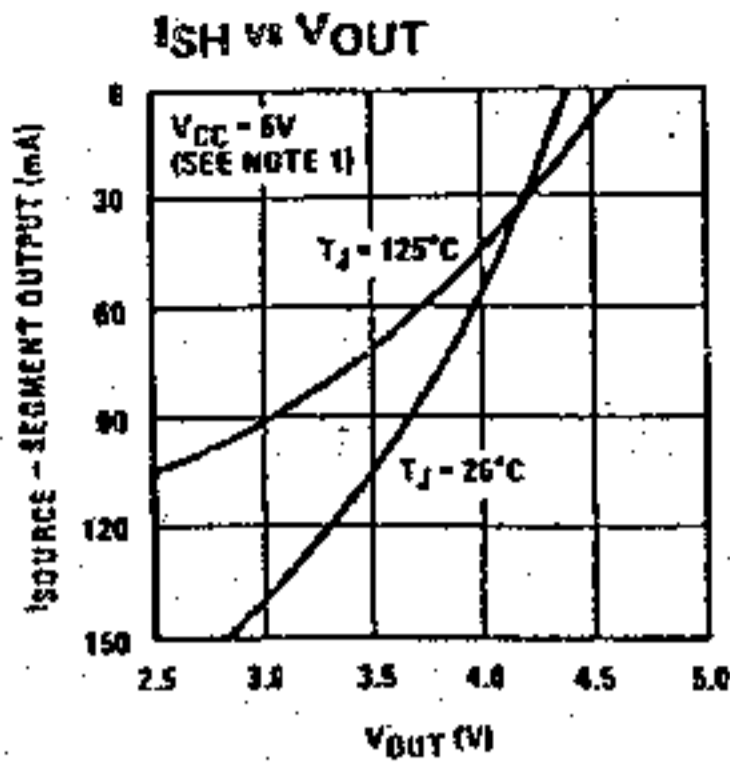
All inputs are TTL compatible; the segment outputs drive the LED display directly through current limiting resistors. The digit outputs are designed to directly drive the base of a grounded emitter digit transistor without the need of a Darlington configuration.

As seen in the block diagram, these display controllers contain six 5-bit registers; any one of which may be randomly written. The internal multiplexer scans the registers and refreshes the display. This combination of write only memory and self-scan display makes the display controller a "refreshing experience" for an overburdened microprocessor.

## Block Diagram



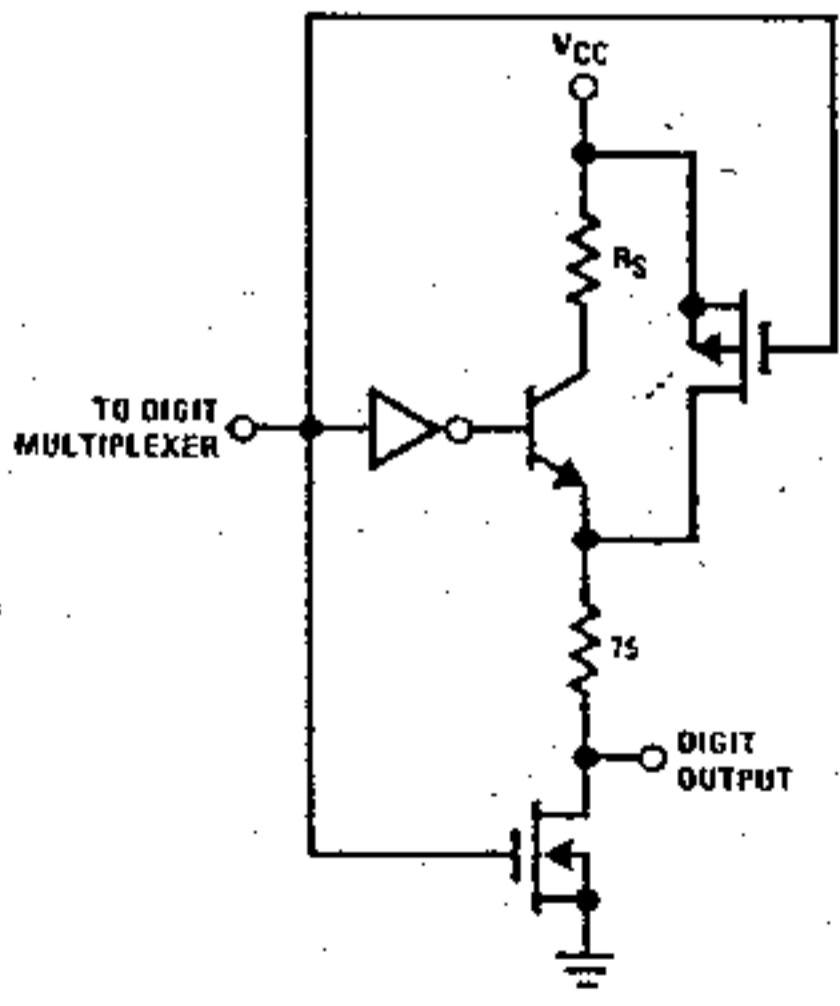
# Typical Performance Characteristics



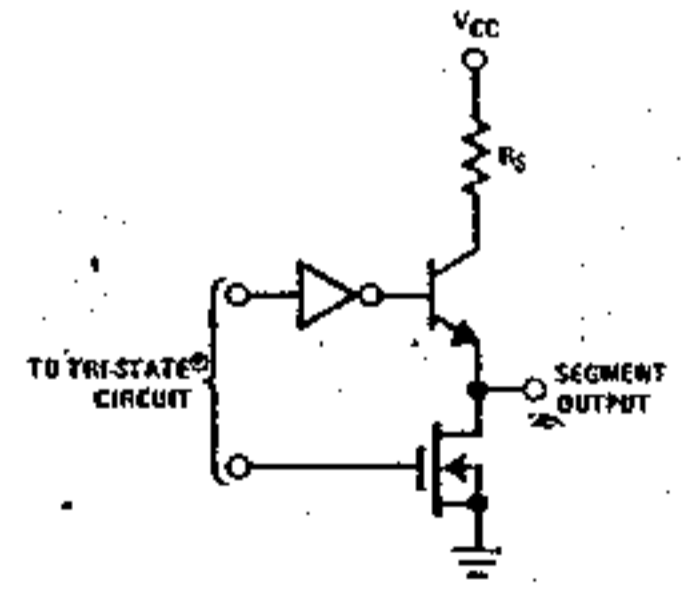
Note 1: Segment outputs if shorted to ground will exceed maximum power dissipation of the device.  
 Note 2:  $V_{CE}$  is the saturation voltage of the digit drive transistor.

## Applications

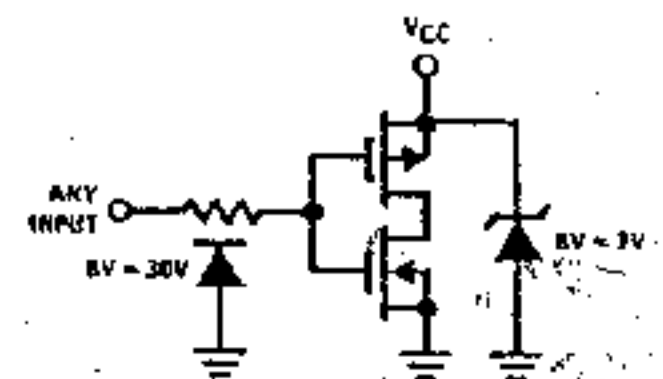
### Digit Output Structure



### Segment Output Structure

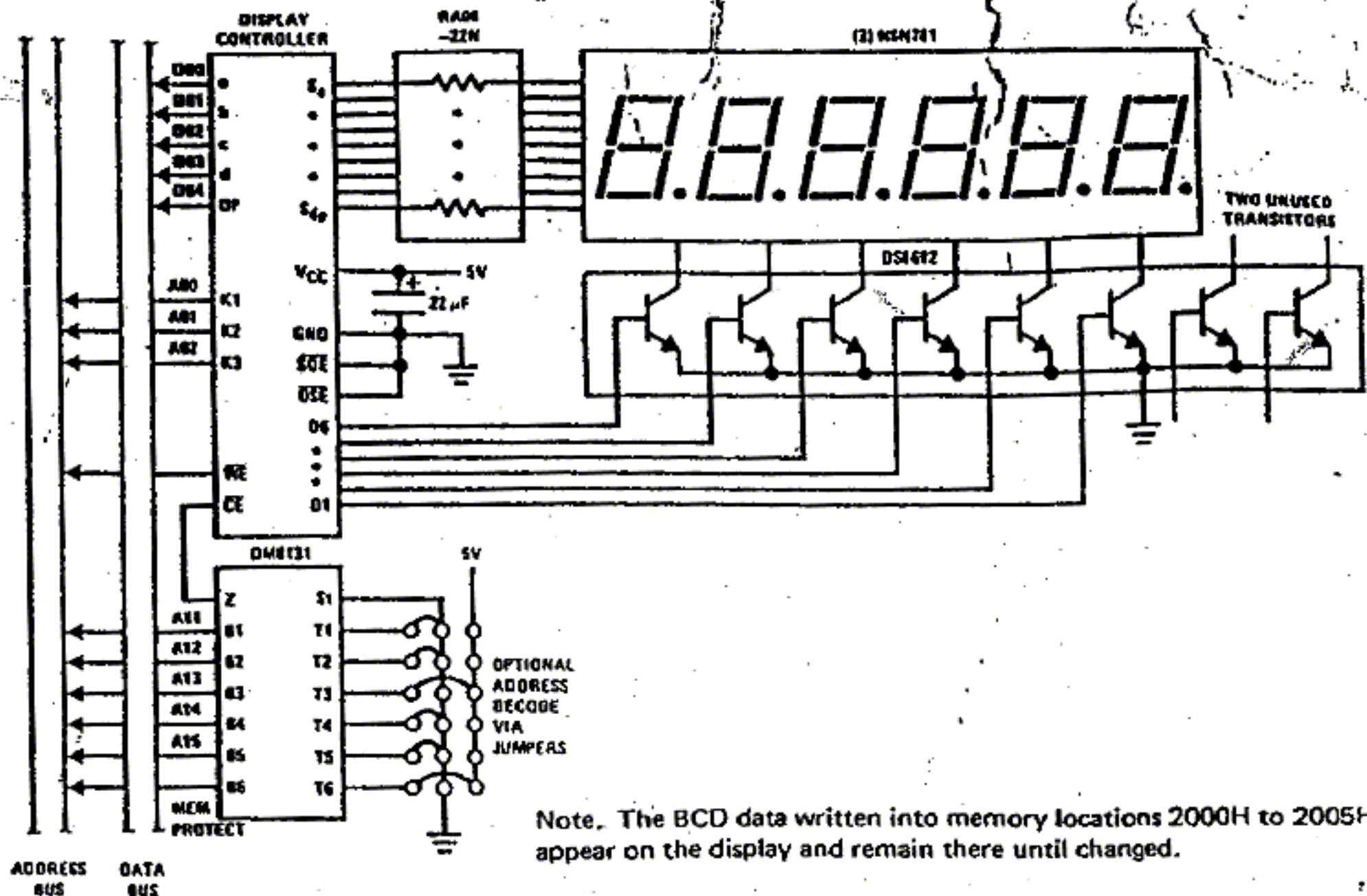


### Input Protection

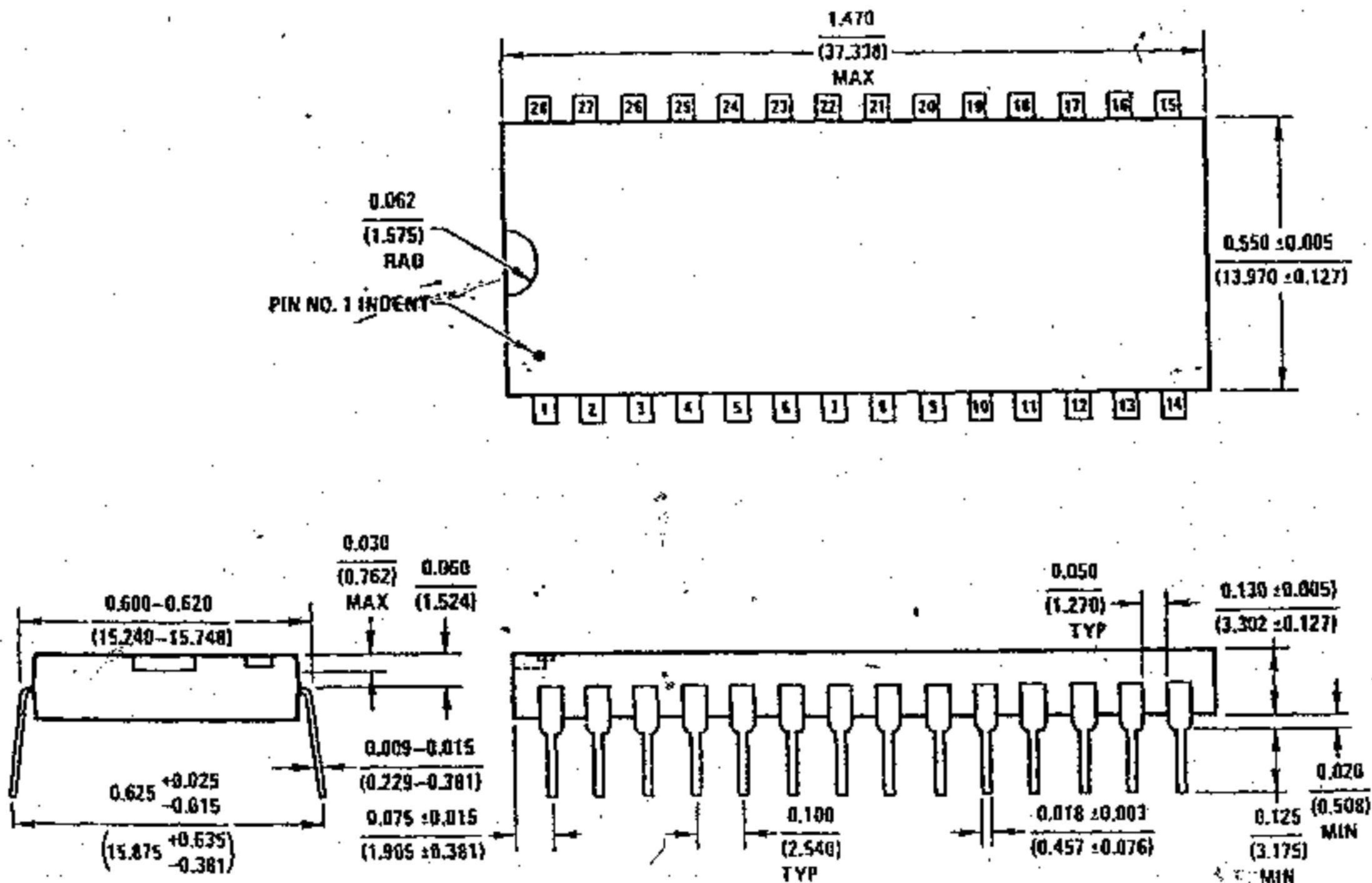


# Applications (Continued)

## 6-Digit Display System



## Physical Dimensions inches (millimeters)



Molded Dual-In-Line Package (N)  
Order Number MM74C912N or MM74C917N  
NS Package Number N28A

Manufactured under one or more of the following U.S. patents: 3083262, 3189756, 3231797, 3303756, 3317671, 3323071, 3381071, 3408542, 3421025, 3426423, 3440498, 3518750, 3519897, 3557431, 3560765, 3566218, 3571630, 3575609, 3579059, 3593069, 3597640, 3607469, 3617859, 3631312, 3633052, 3638331, 3648073, 3651565, 3693248.

