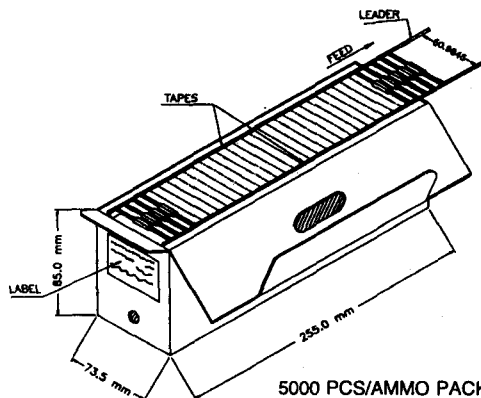
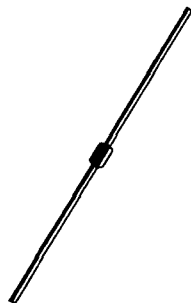


# DO-35



- NOTES:  
 1. CATHODE IS MARKED BY BAND  
 2. ALL DIMENSIONS ARE IN M.M.

DIM	MIN	MAX
A	25,40	-
B	3,03	4,44
C	0,46	0,56
D	1,52	2,29



DIODES AMMO PACK

## DO-35 Switching Diodes (500 mW)

Electrical Characteristics (At  $T_a=25^\circ\text{C}$ , Unless Otherwise Specified)

Type No.	$I_R$ at $V_R$		$P_D$ (W)	$P_{IV}$ min (V)	$V_F$ @ $I_F$ max (V)	$I_F$ (mA)	$C_d$ & $V_R$ max (pF)	$V_R$ (V)	$I_O$ (mA)	$I_{FM}$ (mA)	$t_{rr}$ nsec
	max ( $\mu\text{A}$ )	(V)									
1N914	5	75	0.5	100	1	10	4		75	225	4
1N914A	0.03	20	0.5	75	1	20	4		75	225	4
1N914B	0.03	20	0.5	75	1	100	4		75	225	4
1N4148	5	75	0.5	100	1	10	4		150	450	4
1N4150	0.1	50	0.5	75	1	200	4		200	600	4
1N4151	0.1	50	0.5	75	1	50	2		150	450	4
1N4448	5	75	0.5	100	1	100	4		150	450	4
1N4531	0.03	20	0.25	75	1	10			200	4	
1S1553	0.5	60	0.5	70	1.4	100	3.5			3	4
1S1555	0.5	30	0.5	35	1.4	100	3.5			3	4