

Gold Bonded

1N100A

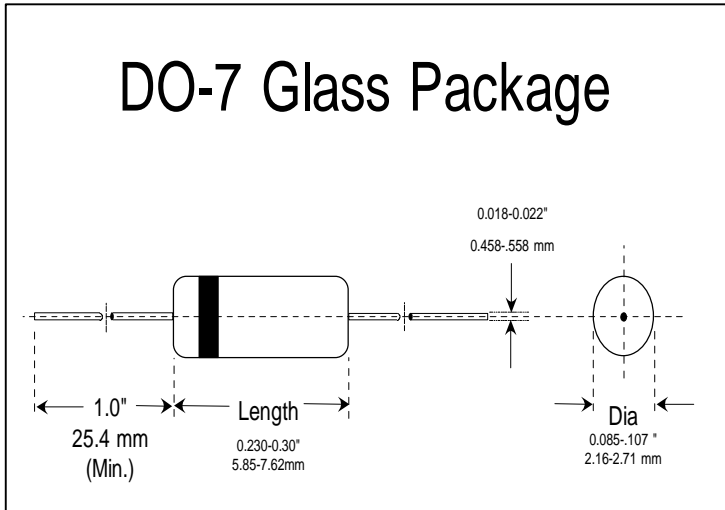
Germanium Diodes

Optimized for Radio Frequency Response

Can be used in many AM, FM and TV-IF applications, replacing point contact devices.

Applications

- AM/FM detectors
- Ratio detectors
- FM discriminators
- TV audio detectors
- RF input probes
- TV video detectors



Features

- Lower leakage current
- Flat junction capacitance
- High mechanical strength
- At least 1 million hours MTBF
- BKC's Sigma-Bond™ plating for problem free solderability

Absolute Maximum Ratings at T_{amb} = 25 °C unless otherwise specified

Parameter	Symbols	Min.	Max.	Units
Peak Inverse Voltage	PIV	--	100	Volts
Peak Forward Surge Current Non-Repetitive, t = 1 Second	I _{FSM}		0.4	Amps
Peak Forward Surge Current Repetitive	I _{FSR}		250	mA
Average Rectified Forward Current	I _O		70	mA
Operating Temperatures	T _{J & Op}	-78	+90	°C
Storage Temperatures	T _{J & STG}	-78	+100	°C

Electrical Characteristics at T_{amb} = 25 °C

Parameter	Test Conditions	Symbols	Min.	Typ.	Max.	Units
Forward Voltage Drop	I _F = 40mA	V _F			1.0	Volts
Reverse Leakage	V _R = 5 Volts	I _R			5	µA
Reverse Leakage	V _R = 50 Volts	I _R			50	µA
Breakdown Voltage	I _p = 1.0mA	PIV	100			Volts



6 Lake Street - Lawrence, MA 01841

Tel: 978-681-0392 - Fax: 978-681-9135

This datasheet has been downloaded from:

www.DatasheetCatalog.com

Datasheets for electronic components.